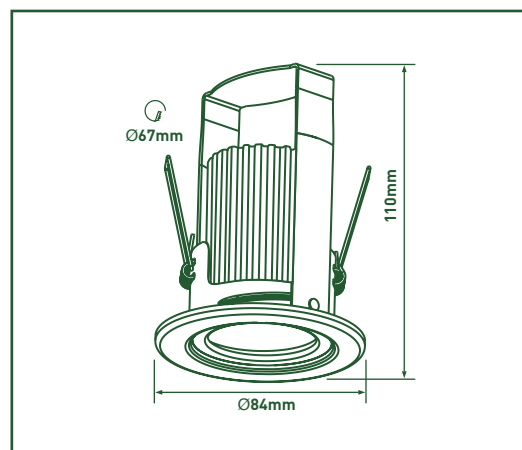


ATOM FIRE RATED DOWNLIGHTS

- Fully tested to 30, 60 and 90mins fire resistance
- Integrated driver
- Dimmable with Leading Edge/Triac type dimmers
- True halogen appearance



7 years extended (3 years standard) warranty available in the UK. Rest of the world may vary, please ask your local distributor for more information.

AVAILABLE IN 3 FINISHES



BRUSHED
STEEL

POLISHED
CHROME

WHITE

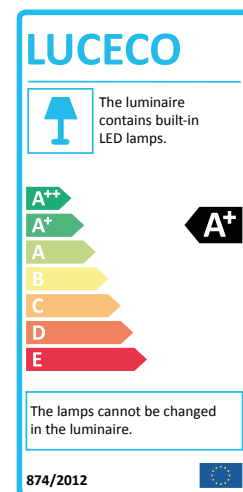


CAT NO.	BEZEL	LUMINAIRE LUMENS	WATTAGE	EFFICACY LLM/W	COLOUR TEMP
LFR5WH475D40	White	475	5.2W	91	4000K
LFR5PC475D40	Polished Chrome	475	5.2W	91	4000K
LFR5BS475D40	Brushed Steel	475	5.2W	91	4000K
LFR5WH450D27	White	450	5.2W	87	2700K
LFR5PC450D27	Polished Chrome	450	5.2W	87	2700K
LFR5BS450D27	Brushed Steel	450	5.2W	87	2700K

STANDARDS

EN 60598-1	Luminaires - General requirements
EN 60598-2-2	Luminaires - Recessed
EN 61347-1	Lamp controlgear - Part 1: General and safety requirements
EN 61347-2-13	Lamp controlgear - Part 2-13: Particular requirements for d.c. or a.c. supplied electronic controlgear for LED modules
EN 55015	Limits and methods of measurement of radio disturbance characteristics of electrical lighting and similar equipment
EN 61547	Equipment for general lighting purposes - EMC immunity requirements
EN 61000-3-2	Electromagnetic compatibility (EMC) - Part 3-2: Limits - for harmonic current emissions
EN 62471	Photobiological safety of lamps and lamp systems
BS 476 PT 21	30, 60 & 90 mins fire rating
2002/96/EC	Waste Electrical & Electronic Equipment (WEEE)
2011/65/EU	Restriction of the use of certain Hazardous Substances in EEE (RoHS)
(EC) No 1907/2006	The Registration, Evaluation, Authorisation and Restriction of Chemicals (REACH)
-	Part B/C/E Building Regulations

▼ CONTINUED



Tech Help Line

UK - **03300 249 279**

Non UK - **+44 (0)1952 238 100**

Supplied by Nexus Industries Ltd

Nexus Distribution Centre, Stafford Park 1

Telford, Shropshire, TF3 3BD

Visit our website at

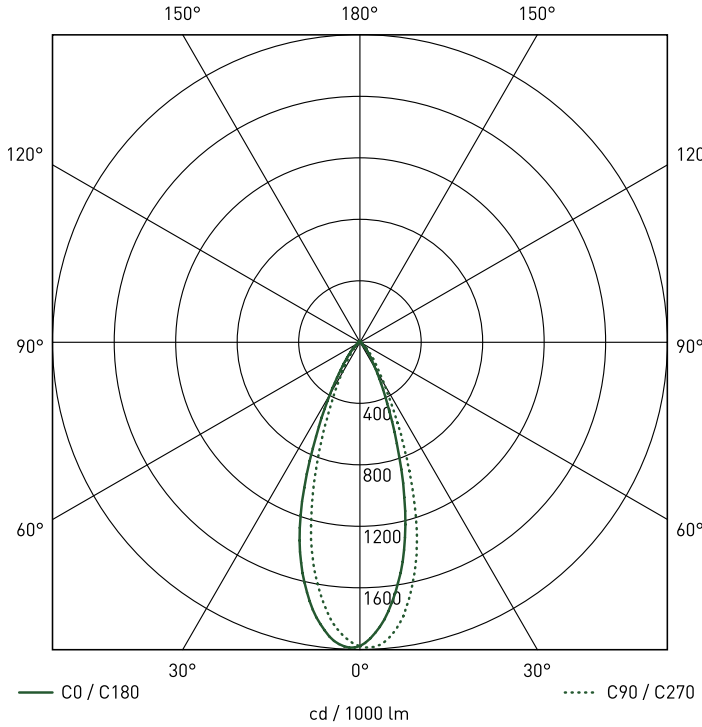
www.luceco.uk

LUCECO PHOTOMETRIC DATA

LFR5WH255D40 LUMINAIRE PERFORMANCE

Light Output Ratio:	100%	Quantity:	1
Luminaire Efficacy:	90 lm/W	Designation:	LED
Light Distribution:	A72 ↓97.2% ↑2.8%	Colour Temperature:	2700K
CIE Flux Codes:	93 98 99 97 100	Luminous flux:	450 lm
UGR 4H 8H (20%, 50%, 70%) C0 / C90:	15.7 / 17.3	CRI:	80

LUMINOUS INTENSITY



	C0	C90	C180
0°	1978	1978	1978
5°	1812	1949	1951
10°	1523	1748	1768
15°	1137	1424	1485
20°	704	990	1103
25°	387	580	680
30°	207	319	390
35°	119	185	221
40°	70	114	131
45°	37	62	80
50°	19	33	46
55°	13	19	26
60°	10	14	17
65°	8	11	13
70°	6	8	10
75°	5	6	7
80°	4	5	6
85°	2	4	5
90°	2	2	3
	cd / 1000 lm		

UNIFIED GLARE RATING (UGR) TABLE

REFLECTANCE OF

CEILING	0.7	0.7	0.5	0.5	0.3	0.7	0.7	0.5	0.5	0.3
WALLS	0.5	0.3	0.5	0.3	0.3	0.5	0.3	0.5	0.3	0.3
FLOOR CAVITY	0.2	0.2	0.2	0.2	0.2	0.2	0.2	0.2	0.2	0.2

ROOM DIMENSION

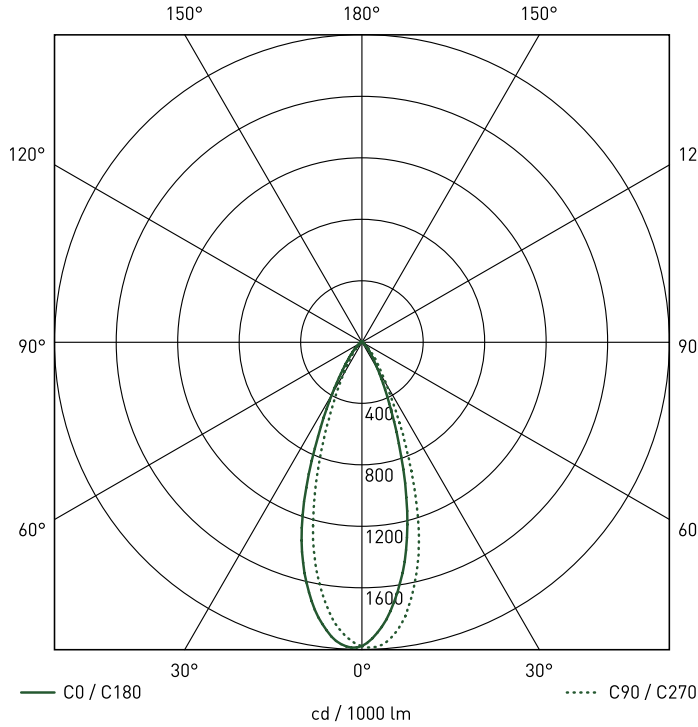
ROOM DIMENSION		VIEWED CROSSWISE					VIEWED ENDWISE				
x	y										
2H	2H	14.3	15.1	14.7	15.5	15.9	16.4	17.3	16.8	17.6	18.0
	3H	14.5	15.3	15.0	15.7	16.1	16.5	17.3	17.0	17.7	18.1
	4H	14.7	15.4	15.2	15.9	16.3	16.6	17.3	17.1	17.8	18.2
	6H	15.0	15.7	15.5	16.1	16.6	16.8	17.5	17.3	17.9	18.4
	8H	15.2	15.8	15.7	16.3	16.7	16.9	17.5	17.4	18.0	18.4
	12H	15.4	15.9	15.8	16.4	16.9	17.1	17.6	17.5	18.1	18.6
4H	2H	14.2	14.9	14.7	15.4	15.8	16.3	17.0	16.8	17.4	17.9
	3H	14.6	15.2	15.1	15.7	16.2	16.6	17.2	17.1	17.6	18.1
	4H	15.0	15.5	15.5	16.0	16.5	16.8	17.3	17.3	17.8	18.3
	6H	15.4	15.9	15.9	16.4	16.9	17.1	17.5	17.6	18.0	18.5
	8H	15.7	16.1	16.3	16.7	17.2	17.3	17.7	17.8	18.2	18.7
	12H	16.0	16.4	16.5	16.9	17.5	17.6	18.0	18.1	18.5	19.1
8H	4H	15.0	15.5	15.6	16.0	16.5	16.8	17.2	17.3	17.7	18.3
	6H	15.6	16.0	16.2	16.5	17.1	17.2	17.5	17.7	18.1	18.7
	8H	16.2	16.5	16.7	17.0	17.6	17.6	17.9	18.1	18.4	19.0
	12H	16.6	16.8	17.1	17.4	18.0	18.0	18.3	18.6	18.9	19.4
12H	4H	15.1	15.4	15.6	16.0	16.5	16.8	17.2	17.3	17.7	18.3
	6H	15.8	16.1	16.3	16.6	17.2	17.3	17.6	17.9	18.1	18.7
	8H	16.3	16.6	16.9	17.1	17.7	17.7	17.9	18.3	18.5	19.1

LUCECO PHOTOMETRIC DATA

LFR5WH475D40 LUMINAIRE PERFORMANCE

Light Output Ratio:	100%	Quantity:	1
Luminaire Efficacy:	95 lm/W	Designation:	LED
Light Distribution:	A72 ↓97.2% ↑2.8%	Colour Temperature:	4000K
CIE Flux Codes:	92 98 99 97 100	Luminous flux:	475 lm
UGR 4H 8H (20%, 50%, 70%) C0 / C90:	15.9 / 17.4	CRI:	80

LUMINOUS INTENSITY



	C0	C90	C180
0°	1978	1978	1978
5°	1812	1949	1951
10°	1523	1748	1768
15°	1137	1424	1485
20°	704	990	1103
25°	387	580	680
30°	207	319	390
35°	119	185	221
40°	70	114	131
45°	37	62	80
50°	19	33	46
55°	13	19	26
60°	10	14	17
65°	8	11	13
70°	6	8	10
75°	5	6	7
80°	4	5	6
85°	2	4	5
90°	2	2	3
	cd / 1000 lm		

UNIFIED GLARE RATING (UGR) TABLE

REFLECTANCE OF	0.7	0.7	0.5	0.5	0.3	0.7	0.7	0.5	0.5	0.3
CEILING	0.7	0.7	0.5	0.5	0.3	0.7	0.7	0.5	0.5	0.3
WALLS	0.5	0.3	0.5	0.3	0.3	0.5	0.3	0.5	0.3	0.3
FLOOR CAVITY	0.2	0.2	0.2	0.2	0.2	0.2	0.2	0.2	0.2	0.2

ROOM DIMENSION		VIEWED CROSSWISE					VIEWED ENDWISE				
x	y										
2H	2H	14.5	15.3	14.9	15.7	16.1	16.6	17.4	17.0	17.8	18.2
	3H	14.7	15.5	15.2	15.9	16.3	16.7	17.5	17.2	17.9	18.3
	4H	14.9	15.6	15.4	16.0	16.5	16.8	17.5	17.3	18.0	18.4
	6H	15.2	15.9	15.7	16.3	16.8	17.0	17.6	17.5	18.1	18.5
	8H	15.4	16.0	15.9	16.5	16.9	17.1	17.7	17.6	18.2	18.6
	12H	15.5	16.1	16.0	16.6	17.1	17.2	17.8	17.7	18.3	18.8
4H	2H	14.4	15.1	14.9	15.5	16.0	16.5	17.2	17.0	17.6	18.1
	3H	14.8	15.4	15.3	15.9	16.4	16.8	17.3	17.2	17.8	18.3
	4H	15.2	15.7	15.7	16.2	16.7	17.0	17.5	17.5	18.0	18.5
	6H	15.6	16.0	16.1	16.6	17.1	17.2	17.7	17.8	18.2	18.7
	8H	15.9	16.3	16.4	16.8	17.4	17.4	17.9	18.0	18.4	18.9
	12H	16.2	16.6	16.7	17.1	17.7	17.8	18.2	18.3	18.7	19.2
8H	4H	15.2	15.7	15.8	16.2	16.7	17.0	17.4	17.5	17.9	18.5
	6H	15.8	16.2	16.4	16.7	17.3	17.4	17.7	17.9	18.3	18.8
	8H	16.3	16.6	16.9	17.2	17.8	17.8	18.1	18.3	18.6	19.2
	12H	16.7	17.0	17.3	17.6	18.1	18.2	18.5	18.8	19.0	19.6
12H	4H	15.2	15.6	15.8	16.1	16.7	17.0	17.4	17.5	17.9	18.5
	6H	16.0	16.3	16.5	16.8	17.4	17.5	17.8	18.0	18.3	18.9
	8H	16.5	16.7	17.1	17.3	17.9	17.9	18.1	18.4	18.7	19.3