

SLIMLINE GUARDIAN FLOODLIGHTS

- 90% energy saving over halogen
- Maintenance free
- Pre-wired 1m of H05RN-F rubber cable
- Instant 100% light output
- 10W/20W/30W are driverless for increased reliability



POWER FACTOR >0.9	30,000 HOURS	BEAM ANGLE 95°	IP65 RATED	230v /50hz	CRI >80
---------------------------------------	---------------------	---------------------------------	-------------------	-------------------	-------------------

CAT NO.	LUMINAIRE LUMENS	WATTAGE	EFFICACY Llm/W	COLOUR TEMP.	EQUIVALENT WATTAGE
LFS10W1B30	600	10W	60	3000K	100W
LFS10W1B50	600	10W	60	5000K	100W
LFS20W1B30	1200	20W	60	3000K	200W
LFS20W1B50	1200	20W	60	5000K	200W
LFS30W1B30	1800	30W	60	3000K	300W
LFS30W1B50	1800	30W	60	5000K	300W
LFS50W1B30	3000	50W	60	3000K	500W
LFS50W1B50	3000	50W	60	5000K	500W

3 year standard WARRANTY

3 years standard warranty available in the UK. Rest of the world may vary, please ask your local distributor for more information.

STANDARDS

EN 60598-1	Luminaires - General requirements
EN 60598-2-5	Luminaires - Floodlights
EN 61347-1	Lamp controlgear - Part 1: General and safety requirements
EN 61347-2-13	Lamp controlgear - Part 2-13 : Particular requirements for d.c. or a.c. supplied electronic controlgear for LED modules
EN 55015	Limits and methods of measurement of radio disturbance characteristics of electrical lighting and similar equipment
EN 61547	Equipment for general lighting purposes - EMC immunity requirements
EN 61000-3-2	Electromagnetic compatibility (EMC) - Part 3-2: Limits - for harmonic current emissions
EN 62471	Photobiological safety of lamps and lamp systems
2002/96/EC	Waste Electrical & Electronic Equipment (WEEE)
2011/65/EU	Restriction of the use of certain Hazardous Substances in EEE (RoHS)
(EC) No 1907/2006	The Registration, Evaluation, Authorisation and Restriction of Chemicals (REACH)

LFS10W

LFS20W

LFS30W

LFS50W

CE

RoHS

LUCECO

The luminaire contains built-in LED lamps.

A+

The lamps cannot be changed in the luminaire.

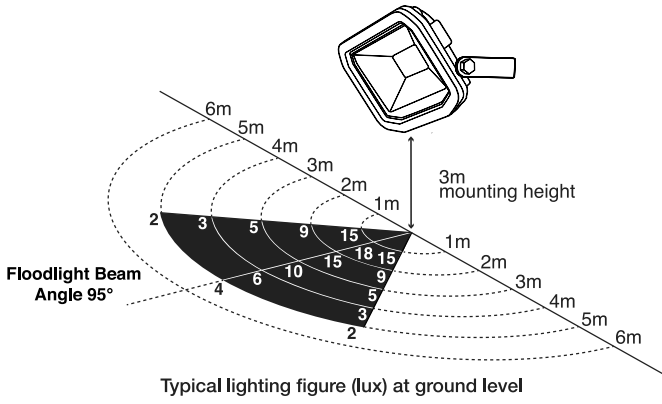
874/2012

Tech Help Line
 UK - **03300 249 279**
 Non UK - **+44 (0)1952 238 100**

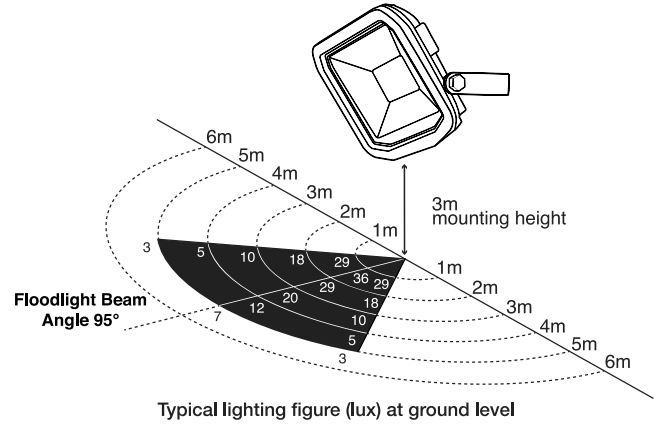
Supplied by Nexus Industries Ltd
 Nexus Distribution Centre, Stafford Park 1
 Telford, Shropshire, TF3 3BD

Visit our website at
www.luceco.uk

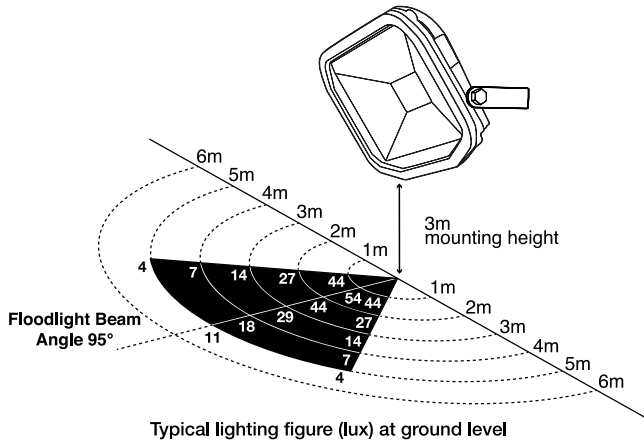
LFS10W - 10 Watt



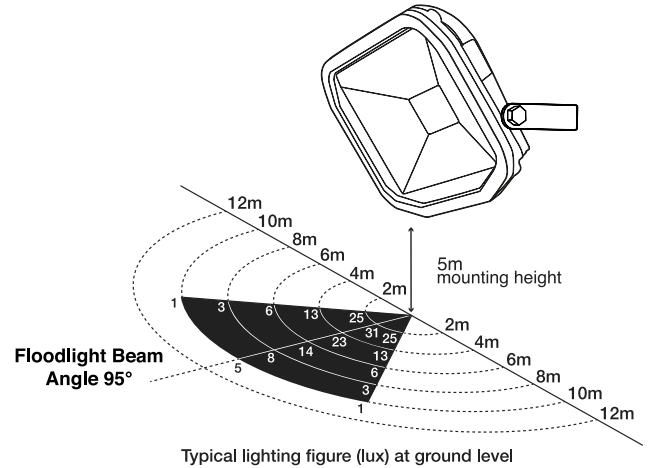
LFS20W - 20 Watt




LFS30W - 30 Watt



LFS50W - 50 Watt



Key
 Floodlight beam angle (95°) and light distribution

Note: Based on a recommend 45° downward tilt angle

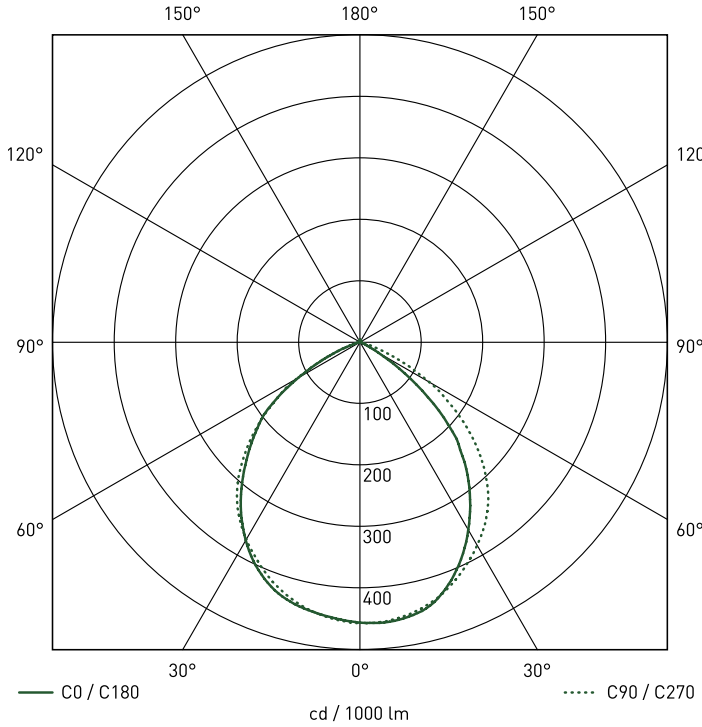
LUCECO PHOTOMETRIC DATA

LFS10W

LUMINAIRE PERFORMANCE

Light Output Ratio:	100%	Quantity:	1
Luminaire Efficacy:	71.6 lm/W	Designation:	LED
Light Distribution:	A50 ↓99.0% ↑1.0%	Luminous flux:	716 lm
CIE Flux Codes:	60 93 100 99 100	CRI:	80
UGR 4H 8H (20%, 50%, 70%) C0 / C90:	18.3 / 21.8		

LUMINOUS INTENSITY



	C0	C90	C180
0°	456	456	456
5°	458	456	451
10°	454	450	445
15°	443	440	437
20°	420	424	423
25°	389	404	401
30°	352	381	372
35°	312	356	337
40°	269	325	298
45°	222	284	258
50°	157	237	219
55°	90	184	174
60°	35	130	115
65°	10	74	63
70°	4	30	23
75°	1	5	6
80°	0	2	1
85°	0	0	0
90°	0	0	0
	cd / 1000 lm		

UNIFIED GLARE RATING (UGR) TABLE

REFLECTANCE OF

CEILING	0.7	0.7	0.5	0.5	0.3	0.7	0.7	0.5	0.5	0.3
WALLS	0.5	0.3	0.5	0.3	0.3	0.5	0.3	0.5	0.3	0.3
FLOOR CAVITY	0.2	0.2	0.2	0.2	0.2	0.2	0.2	0.2	0.2	0.2

ROOM DIMENSION

ROOM DIMENSION		VIEWED CROSSWISE					VIEWED ENDWISE				
x	y										
2H	2H	18.2	19.7	18.6	20.0	20.3	21.6	23.0	21.9	23.3	23.7
	3H	18.1	19.4	18.5	19.7	20.1	21.8	23.1	22.2	23.4	23.8
	4H	18.0	19.2	18.5	19.6	20.0	21.7	22.9	22.2	23.3	23.7
	6H	18.0	19.1	18.4	19.5	19.9	21.7	22.8	22.1	23.2	23.6
	8H	17.9	19.0	18.4	19.4	19.8	21.6	22.7	22.1	23.1	23.5
	12H	17.9	18.9	18.3	19.3	19.7	21.6	22.6	22.0	23.0	23.4
4H	2H	18.7	19.8	19.1	20.2	20.6	21.7	22.9	22.1	23.3	23.7
	3H	18.5	19.5	18.9	19.9	20.4	22.0	23.0	22.4	23.4	23.8
	4H	18.5	19.3	18.9	19.8	20.2	22.0	22.9	22.4	23.3	23.8
	6H	18.4	19.1	18.9	19.6	20.1	21.9	22.6	22.4	23.1	23.6
	8H	18.3	19.0	18.8	19.5	20.0	21.8	22.6	22.3	23.0	23.5
	12H	18.3	19.0	18.8	19.4	20.0	21.8	22.5	22.3	22.9	23.5
8H	4H	18.4	19.1	18.9	19.5	20.0	21.9	22.6	22.3	23.0	23.5
	6H	18.2	18.8	18.8	19.3	19.8	21.7	22.3	22.2	22.8	23.3
	8H	18.3	18.8	18.8	19.3	19.8	21.8	22.2	22.3	22.8	23.3
	12H	18.2	18.6	18.8	19.2	19.7	21.7	22.1	22.2	22.6	23.2
12H	4H	18.3	19.0	18.8	19.4	20.0	21.8	22.5	22.3	22.9	23.5
	6H	18.3	18.8	18.8	19.3	19.8	21.7	22.2	22.3	22.8	23.3
	8H	18.2	18.6	18.8	19.2	19.7	21.7	22.1	22.2	22.6	23.2

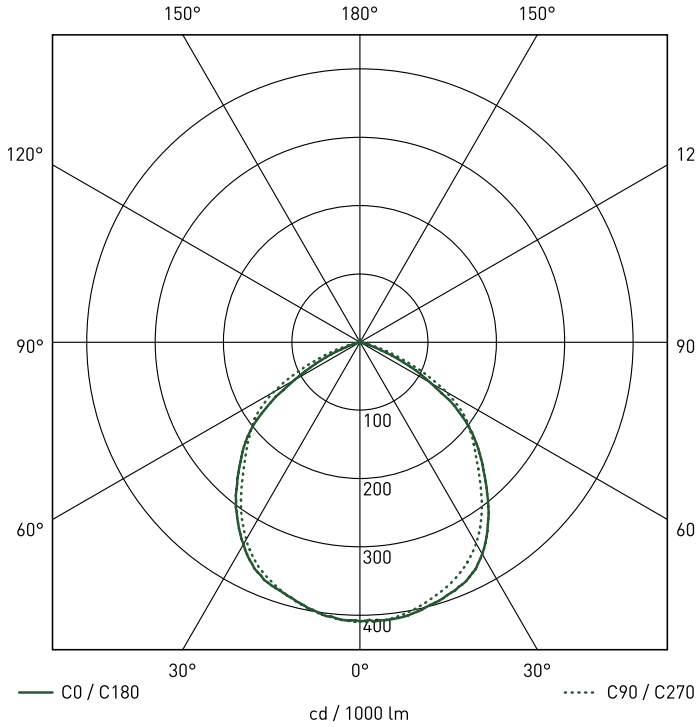
LUCECO PHOTOMETRIC DATA

LFS20W

LUMINAIRE PERFORMANCE

Light Output Ratio:	100%	Quantity:	1
Luminaire Efficacy:	63.67 lm/W	Designation:	LED
Light Distribution:	A50 ↓99.0% ↑1.0%	Luminous flux:	1337 lm
CIE Flux Codes:	55 89 100 99 100	CRI:	80
UGR 4H 8H (20%, 50%, 70%) C0 / C90:	21.1 / 22.7		

LUMINOUS INTENSITY



	C0	C90	C180
0°	409	409	409
5°	409	409	406
10°	406	402	398
15°	398	391	388
20°	391	379	379
25°	379	362	366
30°	358	340	341
35°	327	310	314
40°	290	275	281
45°	254	241	248
50°	218	214	215
55°	176	186	168
60°	120	145	110
65°	71	97	63
70°	25	49	23
75°	4	16	3
80°	1	2	1
85°	0	1	0
90°	0	0	0
	cd / 1000 lm		

UNIFIED GLARE RATING (UGR) TABLE

REFLECTANCE OF	0.7	0.7	0.5	0.5	0.3	0.7	0.7	0.5	0.5	0.3
CEILING	0.7	0.7	0.5	0.5	0.3	0.7	0.7	0.5	0.5	0.3
WALLS	0.5	0.3	0.5	0.3	0.3	0.5	0.3	0.5	0.3	0.3
FLOOR CAVITY	0.2	0.2	0.2	0.2	0.2	0.2	0.2	0.2	0.2	0.2

ROOM DIMENSION		VIEWED CROSSWISE					VIEWED ENDWISE				
x	y										
2H	2H	20.4	21.9	20.8	22.2	22.6	21.5	23.0	21.8	23.3	23.6
	3H	20.6	22.0	21.0	22.3	22.7	22.2	23.5	22.6	23.9	24.3
	4H	20.6	21.8	21.0	22.2	22.6	22.3	23.5	22.7	23.9	24.3
	6H	20.5	21.7	21.0	22.1	22.5	22.2	23.4	22.6	23.8	24.2
	8H	20.5	21.6	20.9	22.0	22.4	22.2	23.3	22.6	23.7	24.1
	12H	20.4	21.5	20.9	21.9	22.3	22.1	23.2	22.5	23.6	24.0
4H	2H	21.0	22.2	21.4	22.6	23.0	21.9	23.1	22.3	23.5	23.9
	3H	21.3	22.3	21.7	22.7	23.1	22.7	23.8	23.1	24.2	24.6
	4H	21.2	22.2	21.7	22.6	23.1	22.8	23.7	23.3	24.2	24.6
	6H	21.1	22.0	21.6	22.4	22.9	22.7	23.5	23.2	24.0	24.5
	8H	21.1	21.9	21.6	22.3	22.8	22.7	23.4	23.2	23.9	24.4
	12H	21.1	21.8	21.6	22.2	22.8	22.7	23.4	23.2	23.8	24.3
8H	4H	21.2	22.0	21.7	22.4	22.9	22.7	23.5	23.2	23.9	24.4
	6H	21.1	21.7	21.6	22.2	22.7	22.6	23.2	23.1	23.7	24.2
	8H	21.1	21.6	21.6	22.2	22.7	22.6	23.2	23.2	23.7	24.2
	12H	21.1	21.5	21.6	22.0	22.6	22.6	23.0	23.1	23.6	24.1
12H	4H	21.2	21.9	21.7	22.3	22.9	22.7	23.4	23.2	23.8	24.4
	6H	21.1	21.6	21.6	22.2	22.7	22.6	23.2	23.2	23.7	24.2
	8H	21.1	21.5	21.6	22.0	22.6	22.6	23.0	23.1	23.6	24.1

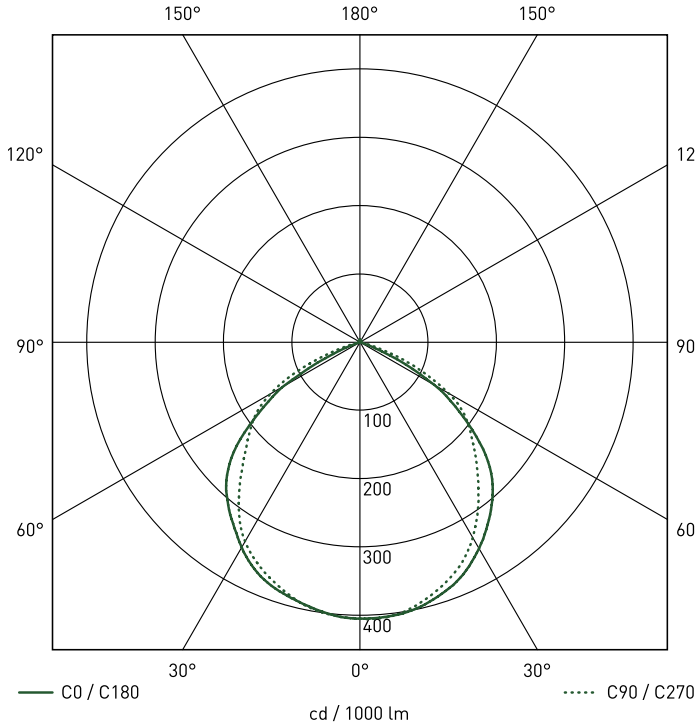
LUCECO PHOTOMETRIC DATA

LFS30W

LUMINAIRE PERFORMANCE

Light Output Ratio:	100%	Quantity:	1
Luminaire Efficacy:	60.16 lm/W	Designation:	LED
Light Distribution:	A50 ↓99.0% ↑1.0%	Luminous flux:	1865 lm
CIE Flux Codes:	55 89 100 99 100	CRI:	80
UGR 4H 8H (20%, 50%, 70%) C0 / C90:	20.7 / 22.4		

LUMINOUS INTENSITY



	C0	C90	C180
0°	405	405	405
5°	404	405	402
10°	401	399	395
15°	393	387	388
20°	383	372	379
25°	368	355	366
30°	348	330	347
35°	326	301	324
40°	302	270	302
45°	272	240	276
50°	229	212	236
55°	178	187	181
60°	125	150	132
65°	60	98	56
70°	6	46	8
75°	2	6	2
80°	1	1	1
85°	0	0	0
90°	0	0	0
	cd / 1000 lm		

UNIFIED GLARE RATING (UGR) TABLE

REFLECTANCE OF

CEILING	0.7	0.7	0.5	0.5	0.3	0.7	0.7	0.5	0.5	0.3
WALLS	0.5	0.3	0.5	0.3	0.3	0.5	0.3	0.5	0.3	0.3
FLOOR CAVITY	0.2	0.2	0.2	0.2	0.2	0.2	0.2	0.2	0.2	0.2

ROOM DIMENSION

		VIEWED CROSSWISE					VIEWED ENDWISE				
x	y										
2H	2H	20.1	21.6	20.5	22.0	22.3	21.2	22.7	21.6	23.1	23.4
	3H	20.2	21.6	20.6	21.9	22.3	22.0	23.3	22.4	23.7	24.0
	4H	20.2	21.4	20.6	21.8	22.2	22.0	23.2	22.4	23.6	24.0
	6H	20.1	21.3	20.5	21.6	22.1	21.9	23.1	22.4	23.5	23.9
	8H	20.1	21.2	20.5	21.5	22.0	21.9	23.0	22.3	23.4	23.8
	12H	20.0	21.1	20.4	21.5	21.9	21.8	22.9	22.3	23.3	23.7
4H	2H	20.7	22.0	21.1	22.3	22.7	21.7	23.0	22.1	23.3	23.7
	3H	20.8	21.9	21.2	22.3	22.7	22.5	23.5	22.9	23.9	24.4
	4H	20.8	21.7	21.2	22.1	22.6	22.5	23.4	23.0	23.9	24.3
	6H	20.7	21.5	21.2	22.0	22.4	22.4	23.2	22.9	23.7	24.2
	8H	20.7	21.4	21.1	21.9	22.4	22.4	23.1	22.9	23.6	24.1
	12H	20.6	21.3	21.1	21.8	22.3	22.4	23.1	22.9	23.5	24.0
8H	4H	20.7	21.5	21.2	21.9	22.4	22.4	23.2	22.9	23.6	24.1
	6H	20.6	21.2	21.1	21.7	22.2	22.3	22.9	22.8	23.4	23.9
	8H	20.6	21.2	21.2	21.7	22.2	22.3	22.8	22.8	23.4	23.9
	12H	20.6	21.0	21.1	21.6	22.1	22.3	22.7	22.8	23.2	23.8
12H	4H	20.7	21.4	21.2	21.8	22.4	22.4	23.1	22.9	23.5	24.1
	6H	20.6	21.2	21.2	21.7	22.2	22.3	22.8	22.8	23.4	23.9
	8H	20.6	21.0	21.1	21.6	22.1	22.3	22.7	22.8	23.2	23.8

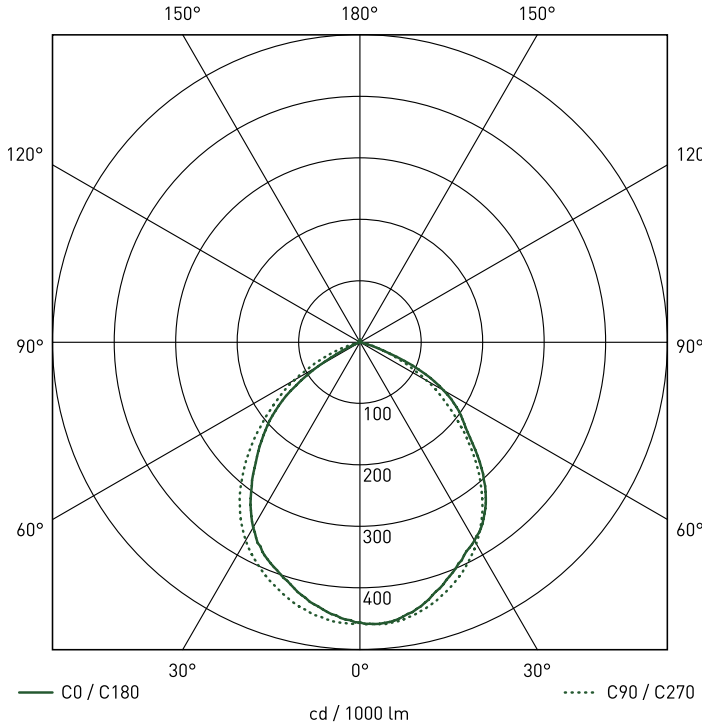
LUCECO PHOTOMETRIC DATA

LFS50W

LUMINAIRE PERFORMANCE

Light Output Ratio:	100%	Quantity:	1
Luminaire Efficacy:	61.78 lm/W	Designation:	LED
Light Distribution:	A50 ↓98.9% ↑1.1%	Luminous flux:	3089 lm
CIE Flux Codes:	59 91 100 99 100	CRI:	80
UGR 4H 8H (20%, 50%, 70%) C0 / C90:	21.8 / 21.4		

LUMINOUS INTENSITY



	C0	C90	C180
0°	456	456	456
5°	459	460	446
10°	449	454	433
15°	433	443	415
20°	412	426	395
25°	391	405	376
30°	372	378	348
35°	351	346	310
40°	318	307	267
45°	275	262	226
50°	229	215	186
55°	197	170	138
60°	157	126	79
65°	106	80	23
70°	40	42	3
75°	3	10	1
80°	1	2	0
85°	0	0	0
90°	0	0	0
	cd / 1000 lm		

UNIFIED GLARE RATING (UGR) TABLE

REFLECTANCE OF

CEILING	0.7	0.7	0.5	0.5	0.3	0.7	0.7	0.5	0.5	0.3
WALLS	0.5	0.3	0.5	0.3	0.3	0.5	0.3	0.5	0.3	0.3
FLOOR CAVITY	0.2	0.2	0.2	0.2	0.2	0.2	0.2	0.2	0.2	0.2

ROOM DIMENSION

x		VIEWED CROSSWISE					VIEWED ENDWISE				
x	y										
2H	2H	20.8	22.3	21.2	22.6	22.9	20.5	22.0	20.9	22.3	22.7
	3H	21.3	22.6	21.7	23.0	23.4	21.0	22.4	21.4	22.7	23.1
	4H	21.3	22.5	21.7	22.9	23.3	21.0	22.3	21.5	22.6	23.0
	6H	21.2	22.3	21.7	22.7	23.2	21.0	22.1	21.4	22.5	22.9
	8H	21.2	22.2	21.6	22.6	23.1	20.9	22.0	21.4	22.4	22.8
	12H	21.1	22.1	21.6	22.5	23.0	20.9	21.9	21.3	22.3	22.7
4H	2H	21.3	22.5	21.7	22.9	23.3	20.9	22.1	21.3	22.5	22.9
	3H	21.9	22.9	22.4	23.3	23.8	21.5	22.5	21.9	22.9	23.3
	4H	21.9	22.8	22.4	23.2	23.7	21.5	22.4	22.0	22.8	23.3
	6H	21.8	22.6	22.3	23.1	23.5	21.4	22.2	21.9	22.6	23.1
	8H	21.8	22.5	22.3	23.0	23.5	21.4	22.1	21.9	22.6	23.0
	12H	21.8	22.4	22.3	22.9	23.4	21.3	22.0	21.8	22.5	23.0
8H	4H	21.9	22.6	22.4	23.1	23.6	21.4	22.1	21.9	22.6	23.1
	6H	21.8	22.4	22.3	22.9	23.4	21.3	21.9	21.8	22.4	22.9
	8H	21.8	22.3	22.3	22.8	23.3	21.3	21.8	21.9	22.4	22.9
	12H	21.7	22.2	22.3	22.7	23.2	21.3	21.7	21.8	22.2	22.8
12H	4H	21.9	22.5	22.4	23.0	23.5	21.4	22.1	21.9	22.5	23.1
	6H	21.8	22.3	22.3	22.8	23.3	21.3	21.8	21.9	22.4	22.9
	8H	21.7	22.2	22.3	22.7	23.2	21.3	21.7	21.8	22.2	22.8